

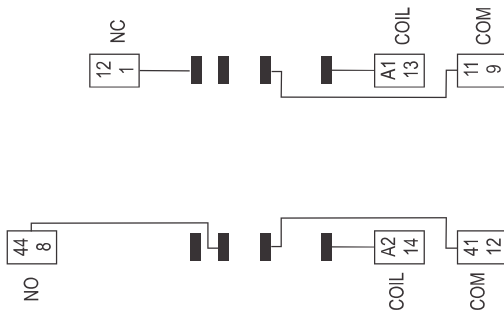


S12D-X

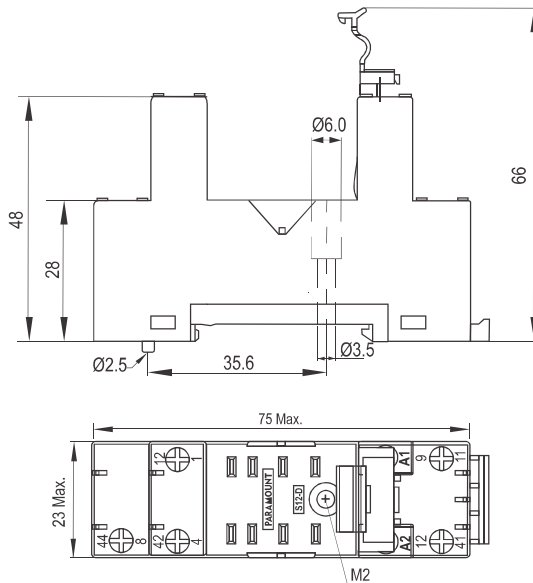
Only
23.0 mm
WIDE

**Socket DIN Rail or Panel Mountable
for P12 1 NO & 1 NC Relays**

Wiring Diagram



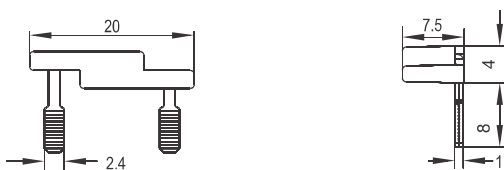
Dimensions in mm.



Accessories



Dimensions in mm.



S14D-B1, 10A @ 250 VAC, 1 Way Bridge for Coil

Specifications

Poles	1 NO + 1 NC Contacts
Nominal load :	10A / 250 VAC
Insulation: Di-electric strength, 1minute	
Between contact and coil	2.5 KV
Between all terminals and DIN Rail	2.5 KV
Between adjacent terminals	2.5 KV
Max. screw torque	1.2 Nm
Screw dimensions	M3, Pozi
Wire in-lets capacity:	
Solid Wire	4sq mm or 2 x 2.25 mm
Multi core	22 14 AWG
Ferrule tip terminals	4sq mm
Weight Approx.	61 gms.

Other Aspects

DIN Rail / Panel Mountable
EN / DIN Sequential Numbering according to EN 60947 & IEC 61810
Integrated Relay Hold Down Clip
Removable White Marking Label
Hard Brass Tin Plated Terminals
Brass Tin Plated Screw

Accessories

Bridge S14D-B1 for coil terminal

Suitable Relays : P12-X, P12-X-M

Approvals

